



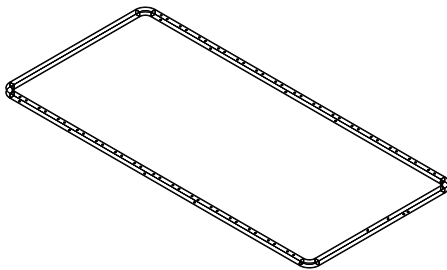
Hardware by Compo

Bed Frames

Compo can make customized standard frames for bed. This can be used for standard beds or for storage beds. All the frames are factory made to tight tolerance and finished in black epoxy power coating. We can make to any customized sizes.



Single Bed Frame



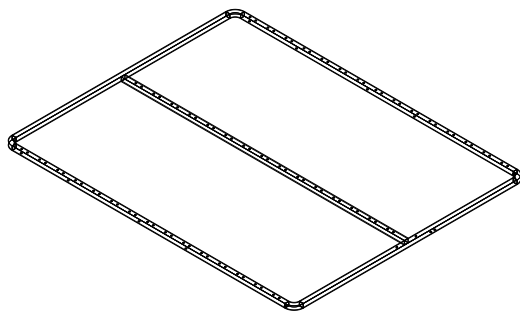
Single Bed Frame



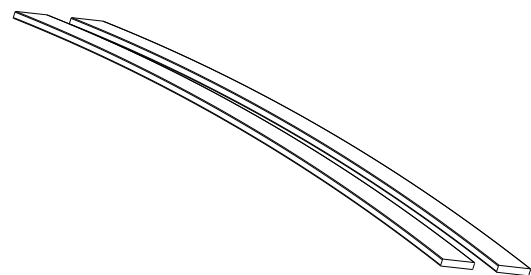
Center Slat Holder

Side Slat Holder

Queen Size Bed Frame

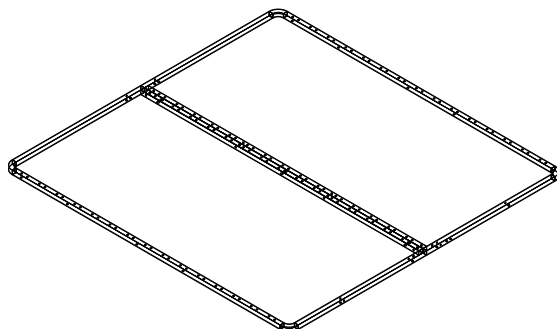


Wooden Slake



We can customized the length of the wood plate.

King Size Bed Frame



Slat Rail

