



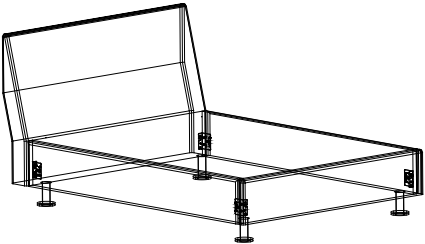
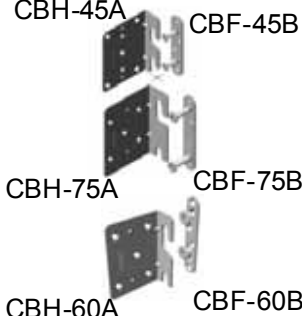
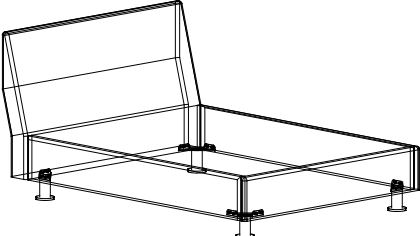

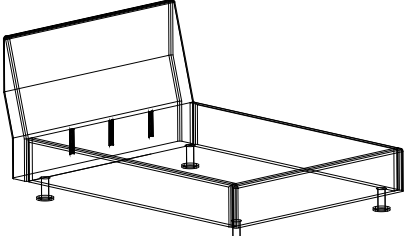

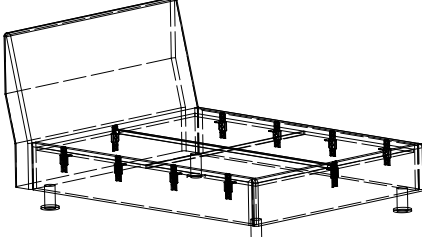

Joints For Bed

Compo has developed various type of joints for bedding products. Its current product range include: -

- corner bracket hook
- Leg bracket
- Bayonet hinge (KD bracket)
- Height Adjustment bracket

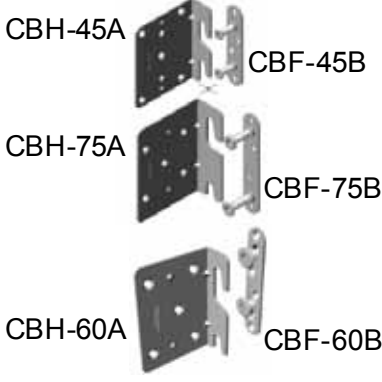
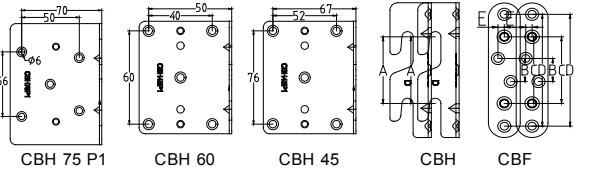

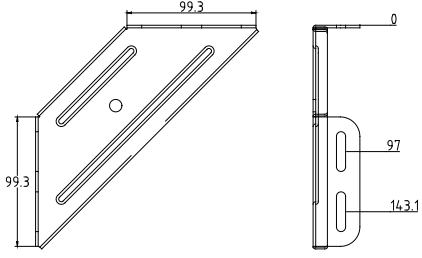

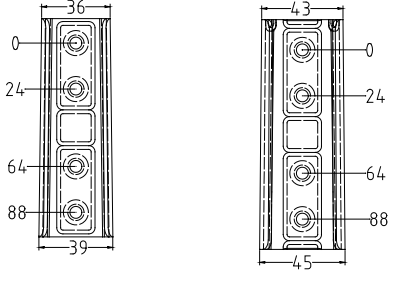

The Compo brackets are designed to make designing beds a little bit easier and as always, these brackets are made to the exacting standards of Compo.



Application of Joints	Joint	Finishing
	<p>CORNER BRACKET HOOK Excellent for joining the side panels of the beds providing excellent strength and allow easy assembly at site CBF is an optional item.</p>	<p>CBH-45A CBF-45B CBH-75A CBF-75B CBH-60A CBF-60B</p>  <p>Rainbow Zinc or Black Zinc</p>
	<p>LEG MOUNTING BRACKET This is designed to accept legs for bed with M10 screws. Each piece of the bracket with support weight up to 120Kgs.</p>	 <p>LB 001</p> <p>Rainbow Zinc or Black Epoxy</p>
	<p>BAYONET HINGE (KD Bracket) This hinge is designed to fit the head board tightly and rigidly to the bed frame.</p>	 <p>KDB 101</p> <p>Blue Zinc Or Rainbow Zinc</p>
	<p>HEIGHT ADJUSTMENT BRACKET Modern mattresses these days comes in various height. Compo height adjustment bracket allows designer freedom to design beds without worrying about mattress height. The bracket will allow adjustment up to 125 mm.</p>	 <p>HAB 101 HAB 102</p> <p>Blue Zinc Or Rainbow Zinc</p>



Product Specification

Brackets	Description	Technical Specification																																																	
 <p>Corner Hook Bracket</p>	<p>This knock down bracket is designed to hold the side board firmly and square together. It comes with 4 pieces of screws. The brackets are left / right sided.</p>	 <table border="1" data-bbox="949 436 1540 750"> <thead> <tr> <th>Part</th> <th>Thickness</th> <th>A</th> <th>B</th> <th>C</th> <th>D</th> <th>E</th> </tr> </thead> <tbody> <tr> <td>CBF75</td> <td>2.0</td> <td>—</td> <td>38</td> <td>75</td> <td>99</td> <td>3</td> </tr> <tr> <td>CBF45</td> <td>2.0</td> <td>—</td> <td>16</td> <td>45</td> <td>75</td> <td>4</td> </tr> <tr> <td>CBH75</td> <td>2.0</td> <td>75</td> <td>—</td> <td>—</td> <td>—</td> <td>—</td> </tr> <tr> <td>CBH45</td> <td>2.0</td> <td>45</td> <td>—</td> <td>—</td> <td>—</td> <td>—</td> </tr> <tr> <td>CBF60</td> <td>1.9</td> <td></td> <td>20</td> <td>60</td> <td>85</td> <td>3</td> </tr> <tr> <td>CBH60</td> <td>1.9</td> <td>60</td> <td>—</td> <td>—</td> <td>—</td> <td>—</td> </tr> </tbody> </table>	Part	Thickness	A	B	C	D	E	CBF75	2.0	—	38	75	99	3	CBF45	2.0	—	16	45	75	4	CBH75	2.0	75	—	—	—	—	CBH45	2.0	45	—	—	—	—	CBF60	1.9		20	60	85	3	CBH60	1.9	60	—	—	—	—
Part	Thickness	A	B	C	D	E																																													
CBF75	2.0	—	38	75	99	3																																													
CBF45	2.0	—	16	45	75	4																																													
CBH75	2.0	75	—	—	—	—																																													
CBH45	2.0	45	—	—	—	—																																													
CBF60	1.9		20	60	85	3																																													
CBH60	1.9	60	—	—	—	—																																													
 <p>Leg Mounting Bracket</p>	<p>This bracket is designed to allow easy mounting of legs to beds. It can also be used as the seat for the bed base. The bracket will support load up to 120 Kg.</p>																																																		
 <p>Bayonet Hinge (KD Bracket)</p>	<p>This bracket is ideal for joining head board to the bed. It can also be used for joining arm of sofa and many other application. Each hinge can take load up to 100 Kg.</p>																																																		
 <p>Height Adjustment</p>	<p>HAB101 is specifically designed to allow for adjustment to the height of bed base. It allow on adjustment up to 125 mm.</p> <p>HAB102 is designed for additional support for the bed base. It is designed to match with customized steel support which is available on request.</p>	