



Box Hinges (Box 101)

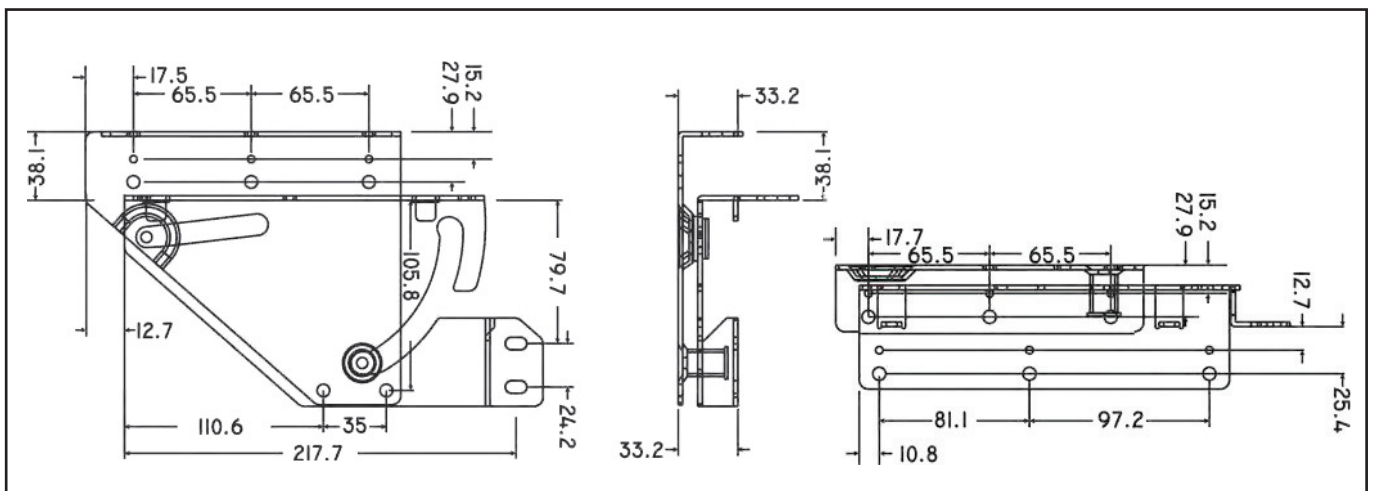
The Box Hinges is designed for big sofa arm application. Instead of wasting the space available in a big arm, a box can be concealed under the arm. The unique features of this box hinge mechanism is that the concealed box is totally invisible after upholstery. There is absolutely no joint lines visible from the outside. This hinges is ideal for modern style furniture.



Application

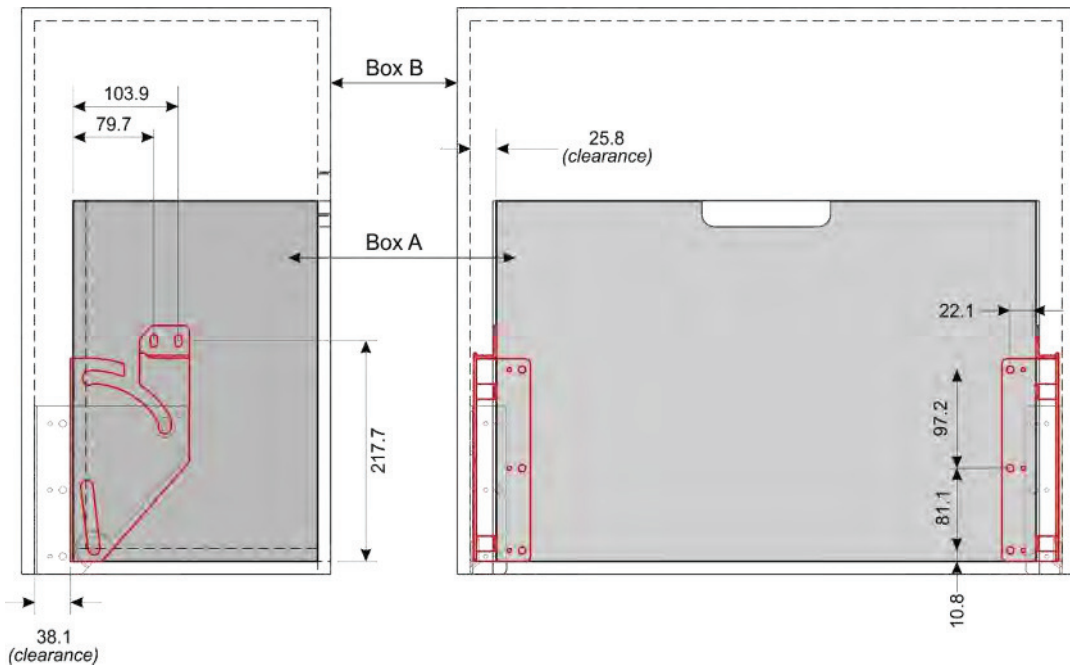
<p>This box hinges is design to open flush for easy mounting</p>	<p>After mounting , the hinges can be lifted up and slide into the groove for application</p>	<p>The hinges is design to stay firmly slant and can open be only with little lifting action</p>

Technical Specification

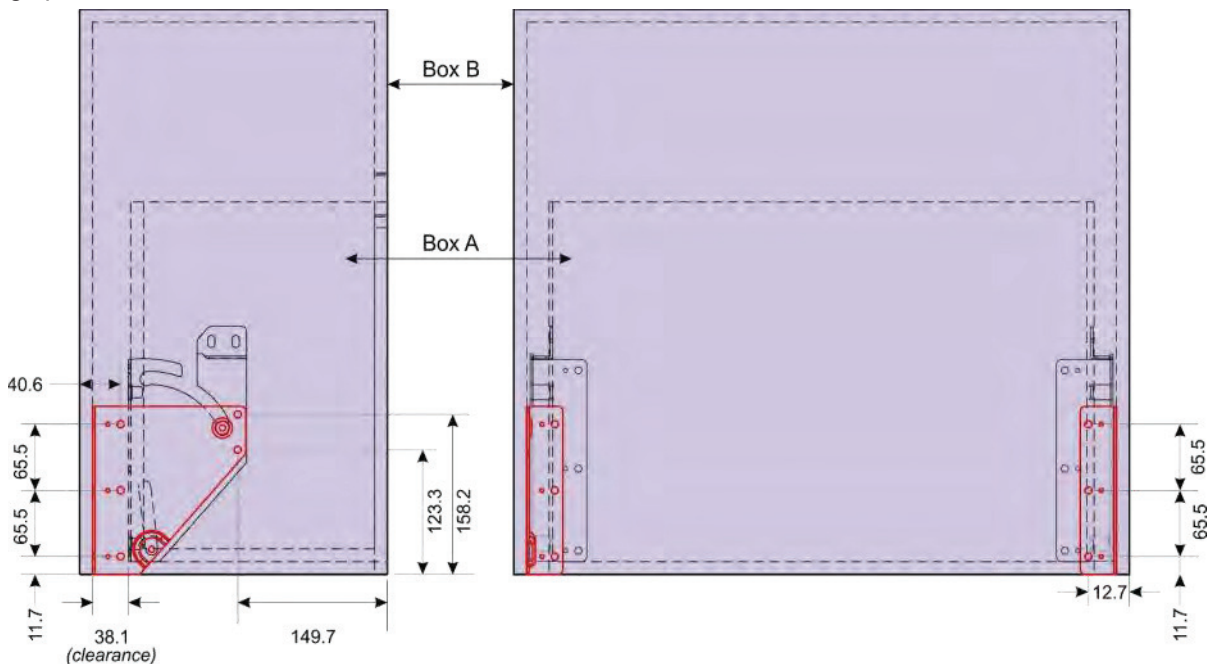


Assembly Specification

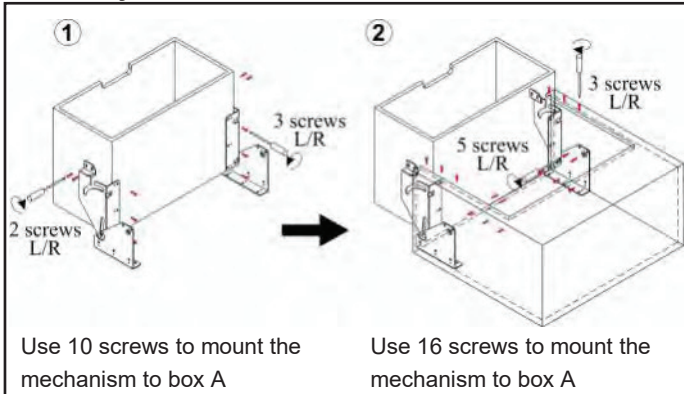
Mounting specification for Box A



Mounting specification for Box B



Assembly



Dismantling

