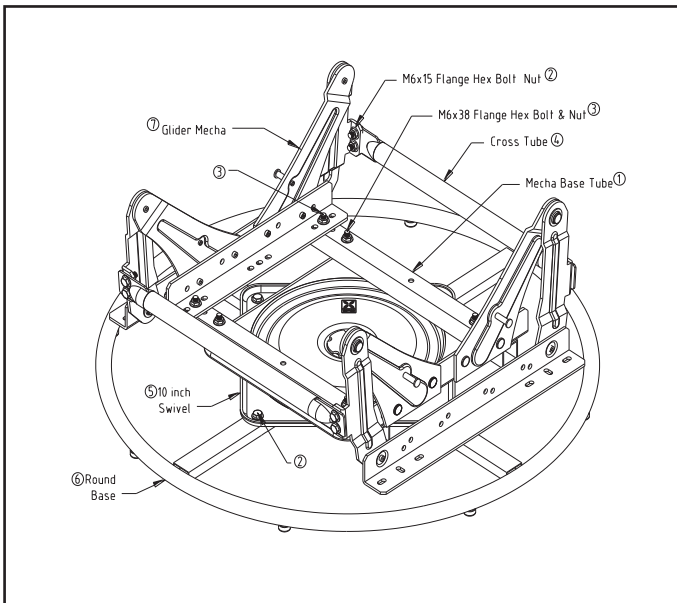




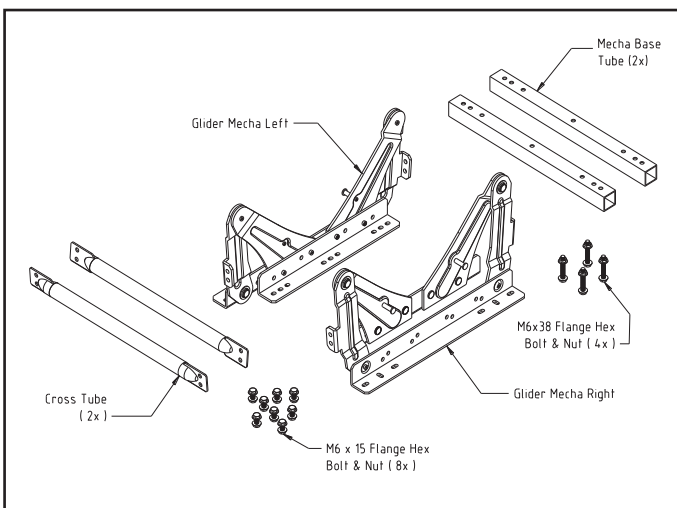
Hardware by Compo

Glider Mechanism GLD01

Compo Glider is designed for various type of application ranging from rattan chair, wooden garden chair, veranda upholstered chair and any other applications that the upholsterer can think of. It can also be configured as a single seater, two seater or even 3 seater configuration. Its gliding action will always be super smooth. As always the glider is built to compo high standard and is tested to take load up to 300kg without any problem.



Standard Item For GLD01



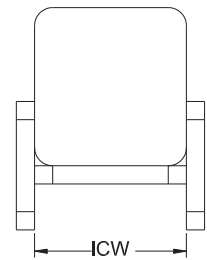
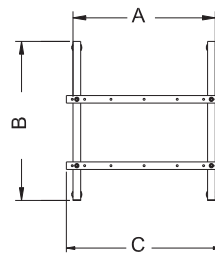
Part Name : Glider with cross bar
 Part No : GLD01
 Qty Used : 1 set
 Standard Item : Left Glider Mechanism
 Right Glider mechanism
 2x mecha base tube
 2x cross tube
 4x M6x38 Flange Hex Bolt & Nut
 8x M6x15 Flange hex Bolt & Nut



Base Options For Glider

To assist upholsterer in designing a glider chair, we have available several standard options ready for use. However, upholsterers are encouraged make their own base from any material to switch their applications. It also possible to order custom base from Compo.

*Size of 21" & 23" are internal chair width (ICW)
ICW = internal distance between two arm rest of single seater



<p>Single Seater</p>	<p>Two Seater</p>		
<p>21" ICW - GBASE121</p>	<p>23" ICW - GBASE123</p>	<p>21" ICW - GBASE221</p>	<p>23" ICW - GBASE223</p>
<p>A = 367.8 mm B = 524.6 mm C = 462.6 mm ICW = 533.4 mm</p>	<p>A = 469.8 mm B = 524.6 mm C = 513.4 mm ICW = 584.2 mm</p>	<p>A = 932.1 mm B = 524.6 mm C = 996.0 mm ICW = 1,066.8 mm</p>	<p>A = 1,037.0 mm B = 524.6 mm C = 1,097.6 mm ICW = 1,168.4 mm</p>
<p>Three Seater</p>	<p>Single Seater With Swivel & Round Base</p>		
<p>21" ICW - GBASE321</p>	<p>23" ICW - GBASE323</p>	<p>21" ICW - GRBASE121</p>	<p>23" ICW - GRBASE123</p>
<p>A = 1,465.5 mm B = 524.6 mm C = 1,529.4 mm ICW = 1,600.2 mm</p>	<p>A = 1,617.9 mm B = 524.6 mm C = 1,681.8 mm ICW = 1,752.6 mm</p>	<p>A = N/A mm B = N/A mm C = 462.6 mm ICW = 533.4 mm</p>	<p>A = N/A mm B = N/A mm C = 513.4 mm ICW = 584.2 mm</p>

