
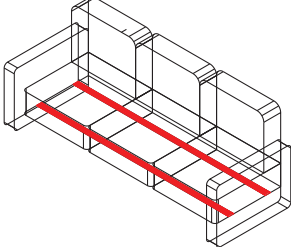

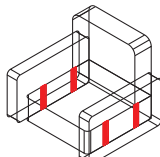

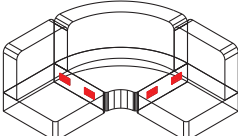

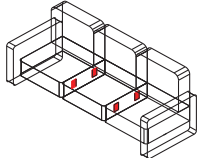
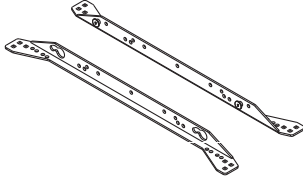
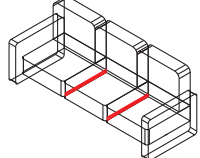

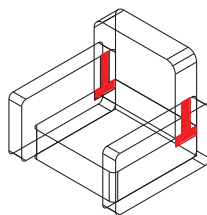




Hardware by Compo

# Brackets For Sofa

Product	Description	Part Code	Pictures	Application
<b>Cross Frames</b>	Compo can make various type of cross frames for the upholster. We can customized these cross frame to any lengths.	CF101-XXX  PBCF02-XXX  PBCF01-XXX		
<b>Links</b>	The KDB 101 can be used for joining the arm to the seat frame.	KDB 101		
	This joint is ideal for corner settee.	SJB101		
	This joint can be used for joining seats together.	MOB101		
	This is another option for joining seats together.	BA103A/B		
<b>Back Rest Angle</b>	This back rest angle is ideal for knock down back frame for sofa	BA3003  CH2007R/L		
<b>Round Base</b>	Our Compo round base is designed for sofa chair. It can be mounted with 10" swivel or a rocker swivel or use in other application.	RSW01 + RNB01  SSW01 + RNB01	