
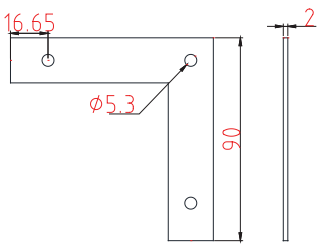

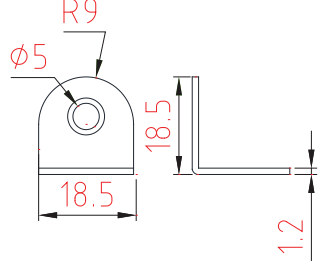

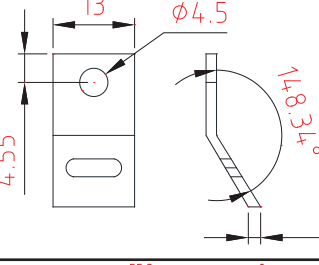

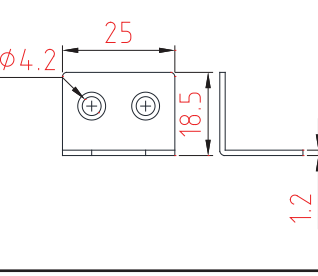

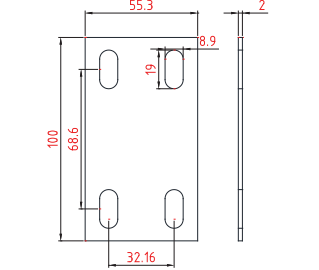

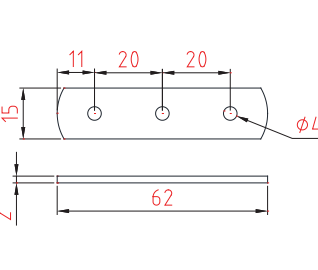

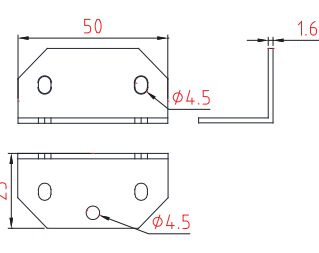

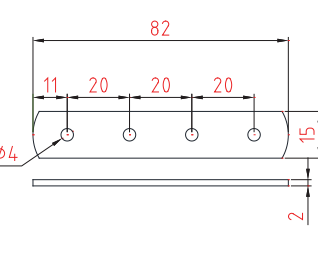

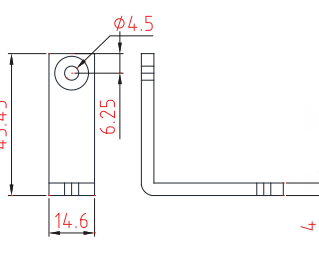

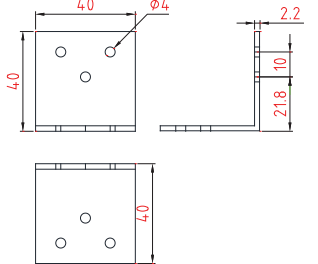

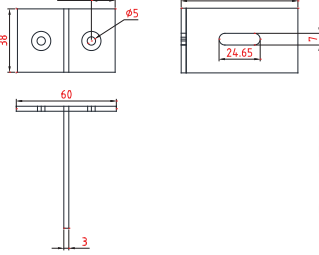

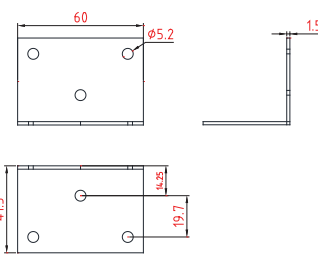




Miscellaneous Bracket II


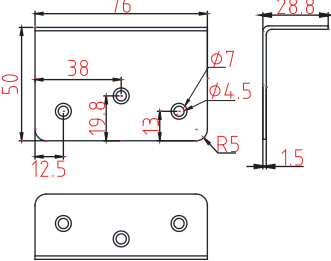

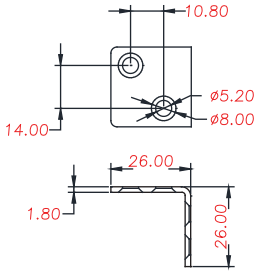

Part	Technical Specification	Part	Technical Specification
 <p>LBR101</p>		 <p>CJB101</p>	
 <p>ABR101</p>		 <p>CJB102</p>	
 <p>FBR101</p>		 <p>FJB101</p>	
 <p>427-120021-01</p>		 <p>FJB102</p>	
 <p>MG-SB101</p>		 <p>CJB106</p>	
 <p>UDB522</p>		 <p>CJB103</p>	





Hardware by Compo

Miscellaneous Bracket II

Part	Technical Specification	Part	Technical Specification
 <p>CB101</p>			
 <p>CJB105</p>			
 <p>L-Bracket 105</p>	