
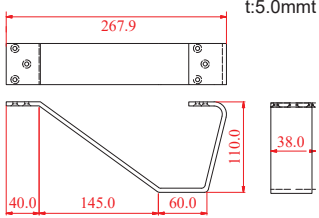

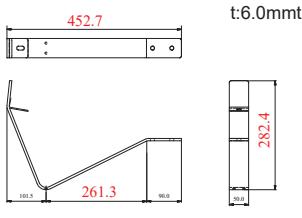

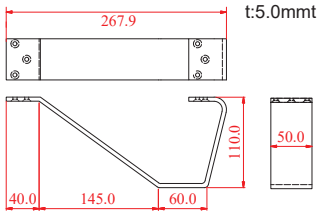

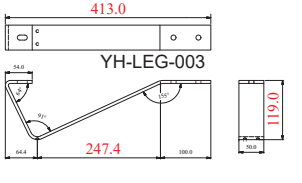
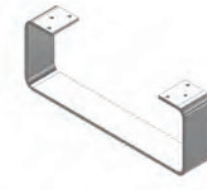
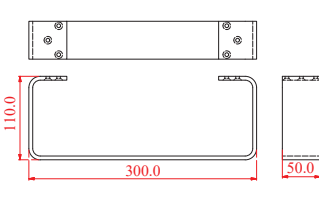

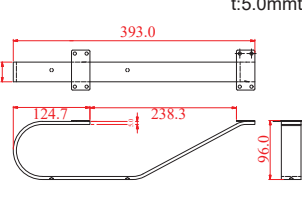
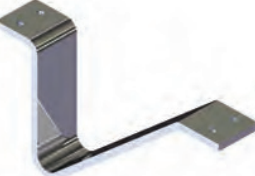
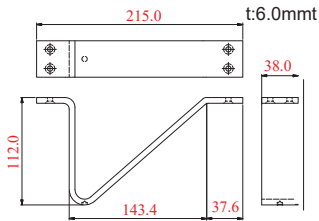

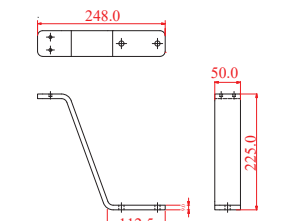

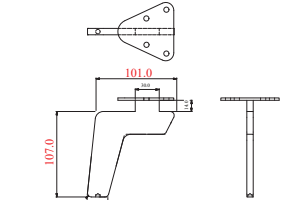

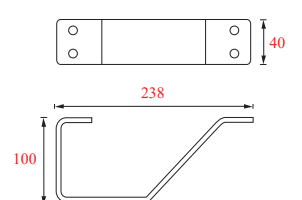

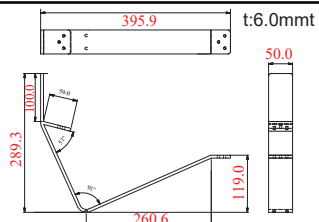

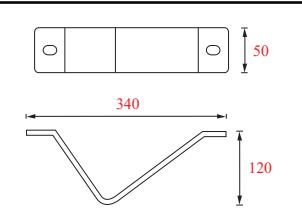

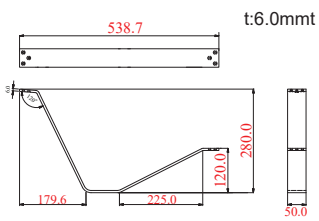

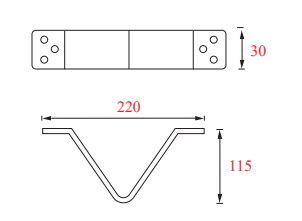





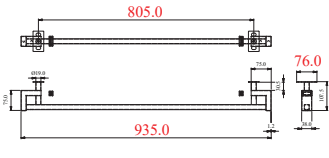

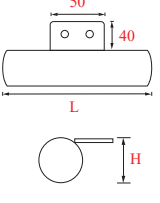

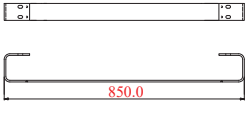

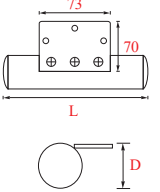

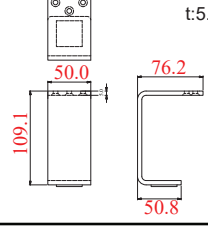

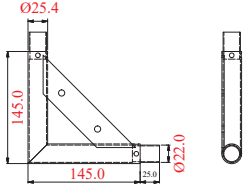

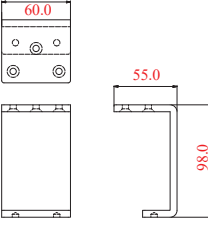

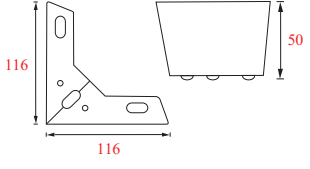

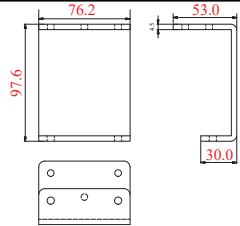

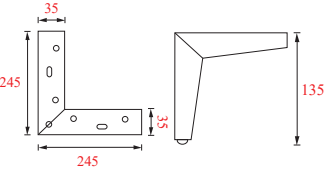

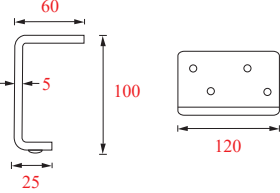

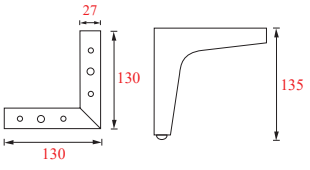

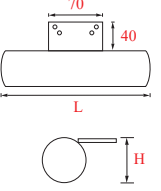

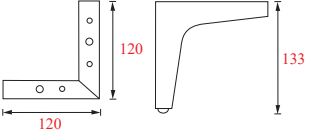
LEGS

Part	Technical Specification	Part	Technical Specification
 <p>CZ-LEG-001</p>		 <p>YH-LEG-002</p>	
 <p>SLC301-H110</p>		 <p>YH-LEG-003</p>	
 <p>SLC302-H110</p>		 <p>LU-LEG-009</p>	
 <p>GM-LEG-001</p>		 <p>SC-LEG-001</p>	
 <p>YH-LEG-001</p>		 <p>SLC201-KA0325(AF028C)</p>	
 <p>LU-LEG-021</p>		 <p>SLC201-KA0326(AF026)</p>	
 <p>LU-LEG-012</p>		 <p>SLC201-KA0326(AF026-A)</p>	





LEGS

Part	Technical Specification	Part	Technical Specification						
 <p>YH-PLINTH-001B</p>		 <p>SLC201-H50L195</p>	 <table border="1" data-bbox="1380 481 1468 593"> <tr> <th>H</th> <th>L</th> </tr> <tr> <td>50</td> <td>195</td> </tr> </table>	H	L	50	195		
H	L								
50	195								
 <p>YH-PLINTH-002</p>	<p>t:6.0mmt</p> 	 <p>SLC201A-D50L195</p>	 <table border="1" data-bbox="1380 716 1468 828"> <tr> <th>D</th> <th>L</th> </tr> <tr> <td>50</td> <td>195</td> </tr> </table>	D	L	50	195		
D	L								
50	195								
 <p>DM-LEG-002</p>	<p>t:5.0mmt</p> 	 <p>LU-LEG-008</p>							
 <p>IT-LEG-002</p>		 <p>SLC101-H50L115</p>							
 <p>TB-LEG-001</p>		 <p>SLC201-AC060</p>							
 <p>SLC105-H100L120</p>		 <p>SLC201-KA0151(AC005)</p>							
 <p>SLC201-H38L150/180/381</p>	 <table border="1" data-bbox="710 1892 798 2004"> <tr> <th>H</th> <th>L</th> </tr> <tr> <td>38</td> <td>150</td> </tr> <tr> <td>180</td> <td>381</td> </tr> </table>	H	L	38	150	180	381	 <p>SLC104-H133L120</p>	
H	L								
38	150								
180	381								

