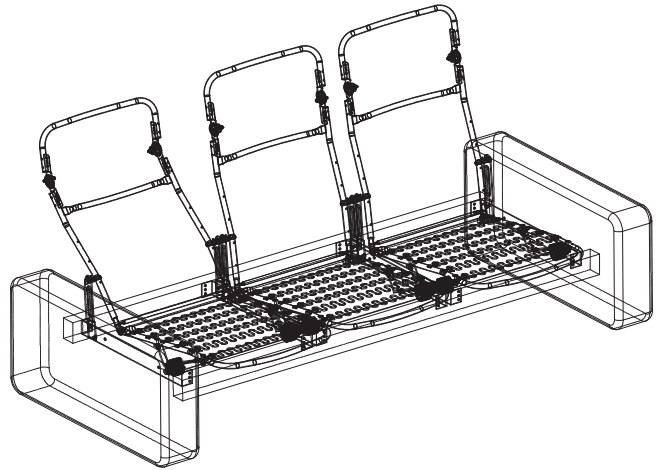


Tubular Steel Frame For Sofa (TSF101)

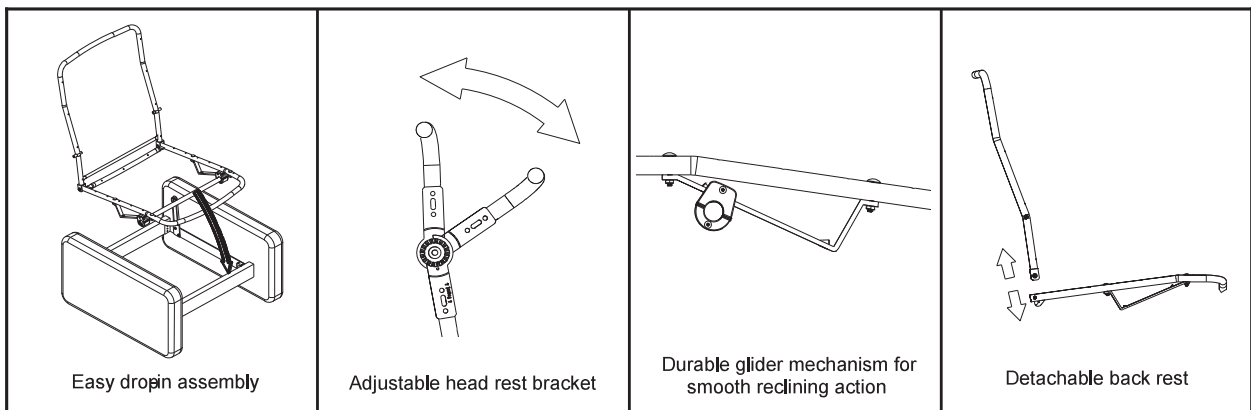
Compo's Tubular Steel Frame offers sofa makers an alternative way to make an upholstered sofa.

Compo's Tubular Steel Frame are designed for easy upholstery and also assembly. Other features includes :-

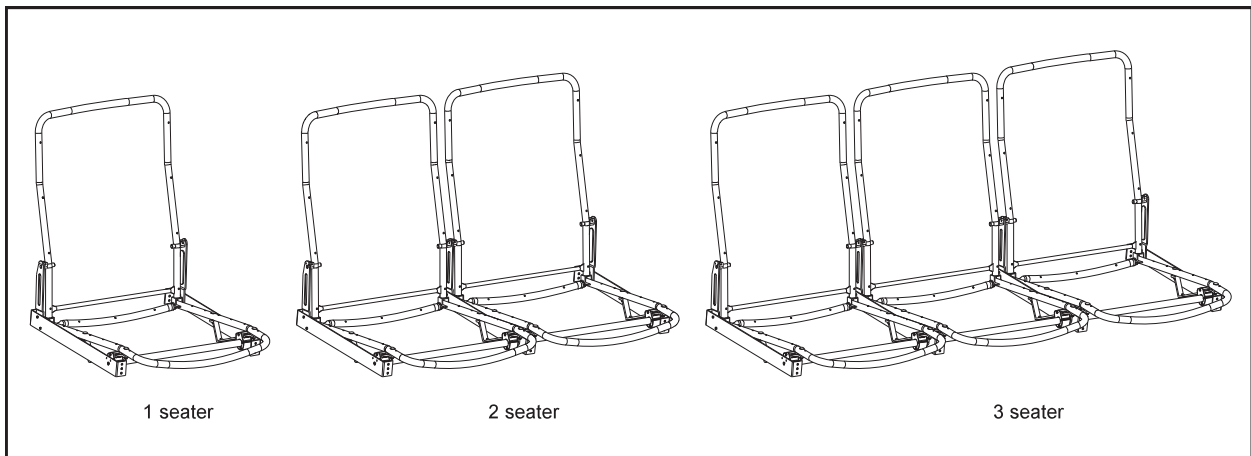
- can be used for fixed seat or reclining seat.
- thick gauge Ø19.0 quality steel frame for sturdy and long lasting usage.
- detachable back frame for easy packing and delivery.
- optional adjustable head rest bracket for better head posture.
- can be configured for single seater, two seater or three seater.



Features

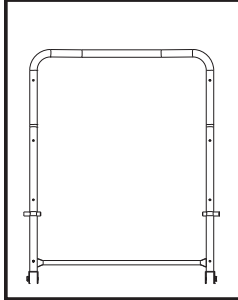
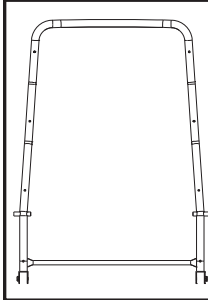
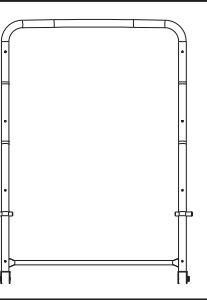
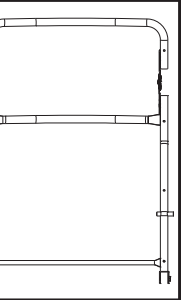
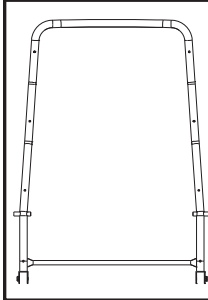
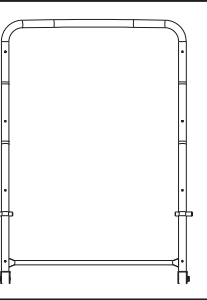
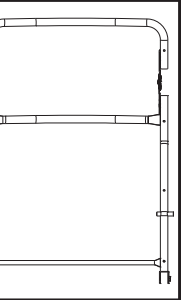
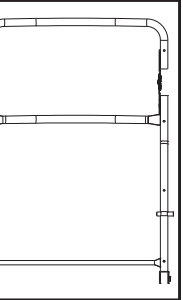


Various Configuration of Seats

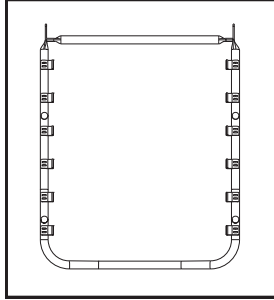
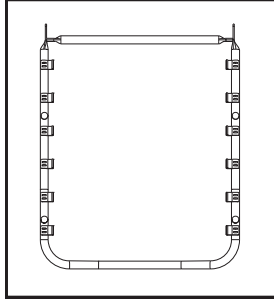


Technical Details

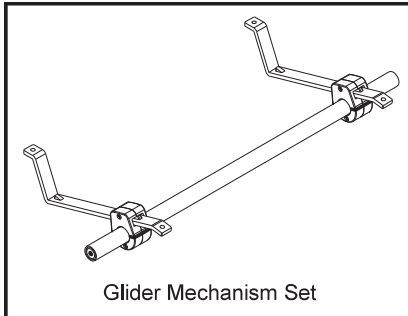
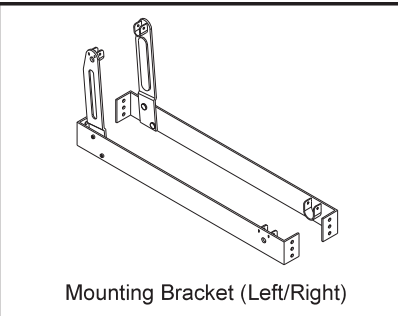
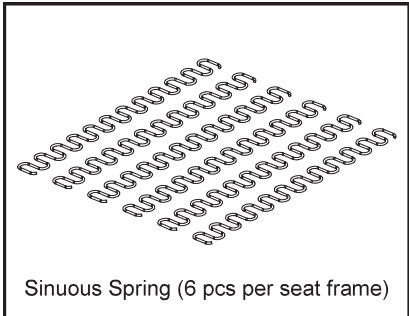
Back Frame Shapes & Sizes

Low Back		Cone Back		Standard Back		Adjustable Head Rest	
							
Height	Order Code	Height	Order Code	Height	Order Code	Height	Order Code
24"	LB24	29"	CB29	29"	HB29	29"	AB29
26"	LB26	31"	CB31	31"	HB31	31"	AB31

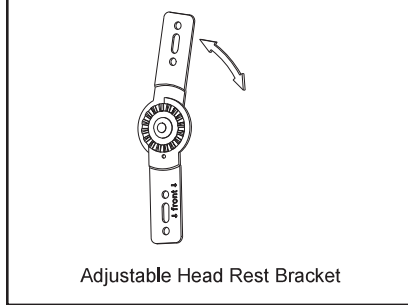
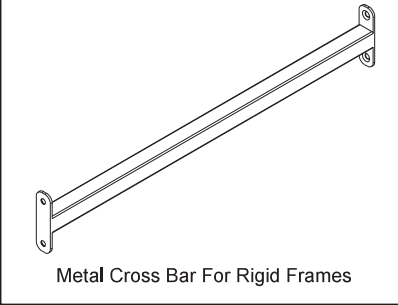
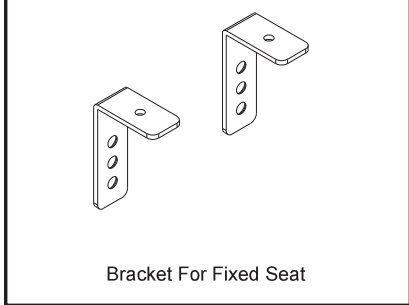
Seat Frame Sizes

Seat Frame	
	
Depth	Order Code
22"	SD22
24" & 26"	SD24

Accessories

 Glider Mechanism Set	 Mounting Bracket (Left/Right)	 Sinuous Spring (6 pcs per seat frame)
------------------------------------------------------------------------------------------------------------	---------------------------------------------------------------------------------------------------------------------	-------------------------------------------------------------------------------------------------------------------------------

Optional Items

 Adjustable Head Rest Bracket	 Metal Cross Bar For Rigid Frames	 Bracket For Fixed Seat
---------------------------------------------------------------------------------------------------------------------	-------------------------------------------------------------------------------------------------------------------------	-----------------------------------------------------------------------------------------------------------------

How to order :

To order your chair frame, you will need to specify the chair width, back frame type and height, and seat frame depth.

eg : chair frame of 21" width, with adjustable head rest back of 29" with seat depth of 22".

The order code is as follow :
TSF21 -AB29SD22

